

Technical Information

No. 5623

Edition: 04/08 - subject to change

Substitutes: new

Status: valid



Xenon Short Arc Lamp

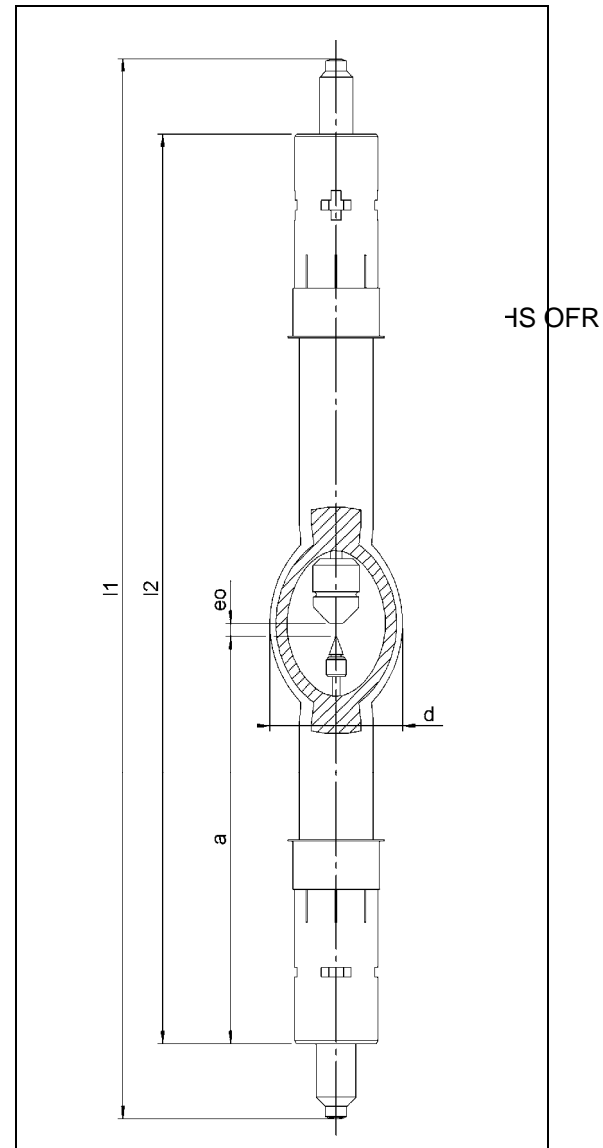
XBO® 1600 W CL OFR

■ Product description

The OSRAM XBO® 1600 W CL OFR is a DC-operated lamp that is especially suited for applications requiring excellent arc stability and high luminance. The CL lamps, which stands for Classic Line, combines the classical Osram features with an optimization on bulb pricing and has the same warranty as the regular standard lamps.

■ Technical data

Order reference	XBO® 1600 W CL OFR	
Rated lamp wattage	W	1,600
Rated lamp voltage	V	24
Rated lamp current (DC)	A	65
Current control range	A	45 – 75
Ignition voltage	kV _p	36
Min. open circuit voltage for cold / hot ignition	V	65 / 70
Luminous flux	lm	60.000
Luminous intensity	cd	6.000
Average luminance	cd/cm ²	65.000
Luminous area w x h *)	mm	1.4 x 4.0
Electrode gap e (cold)	mm	4.8
Lamp length (overall) l ₁	mm	max. 370
Lamp length l ₂	mm	max. 322
LCL a	mm	143
Bulb diameter d	mm	46
Warranty	h	2400
Base	Cathode	SFa 27-12
	Anode	SFa 27-10



*) w = luminance half width value; h = height of luminous area (corresponds to electrode gap, hot)

■ Lamp operation

Maximum permissible base temperature	230°C
Cooling requirements	forced cooling / fan
Min. air flow velocity around discharge vessel	3 m/s
Operating position	s 30 (vertical ± 30° ; anode up)